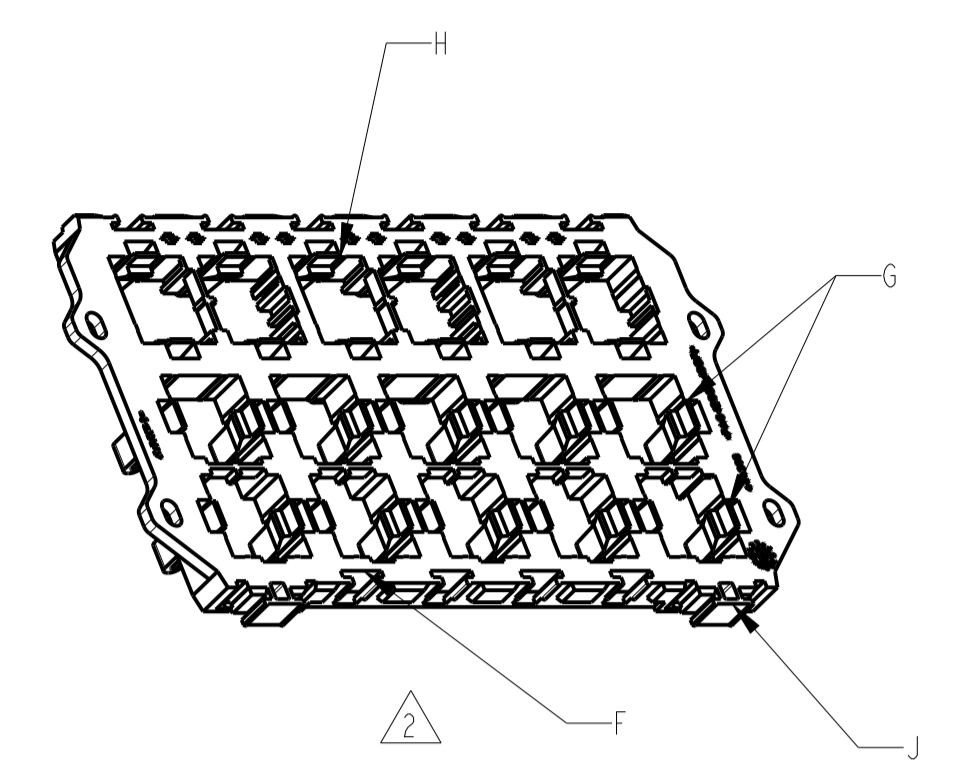
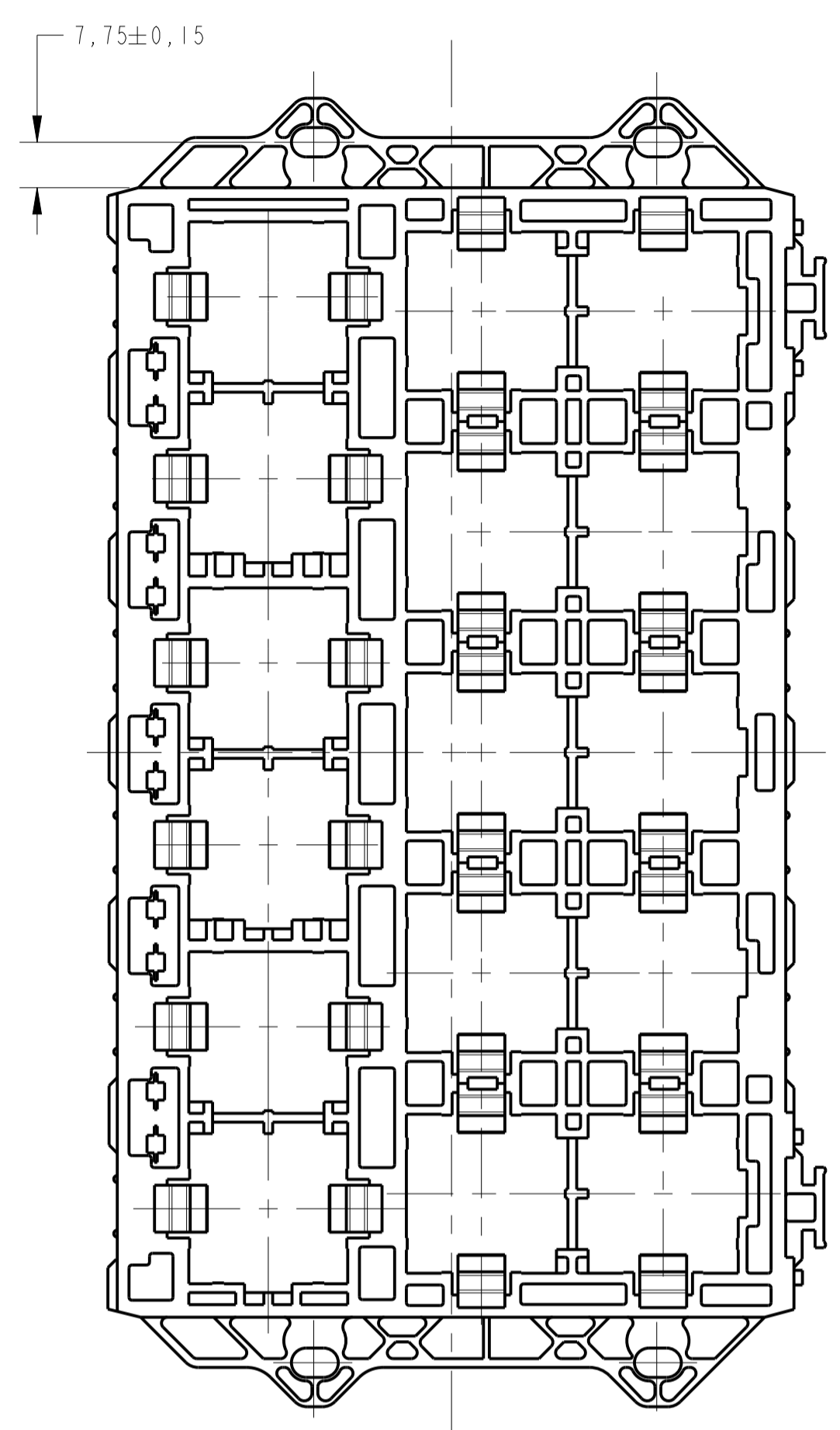
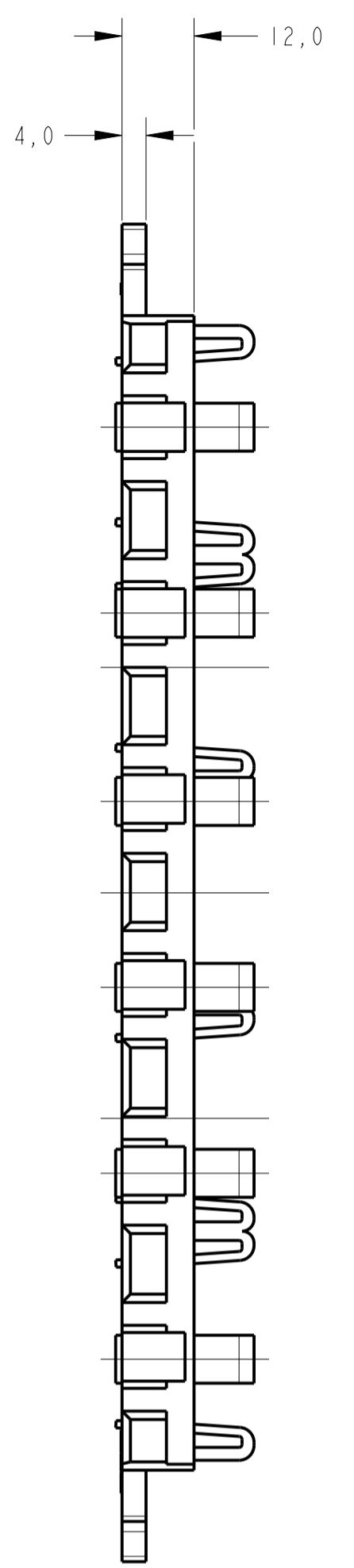
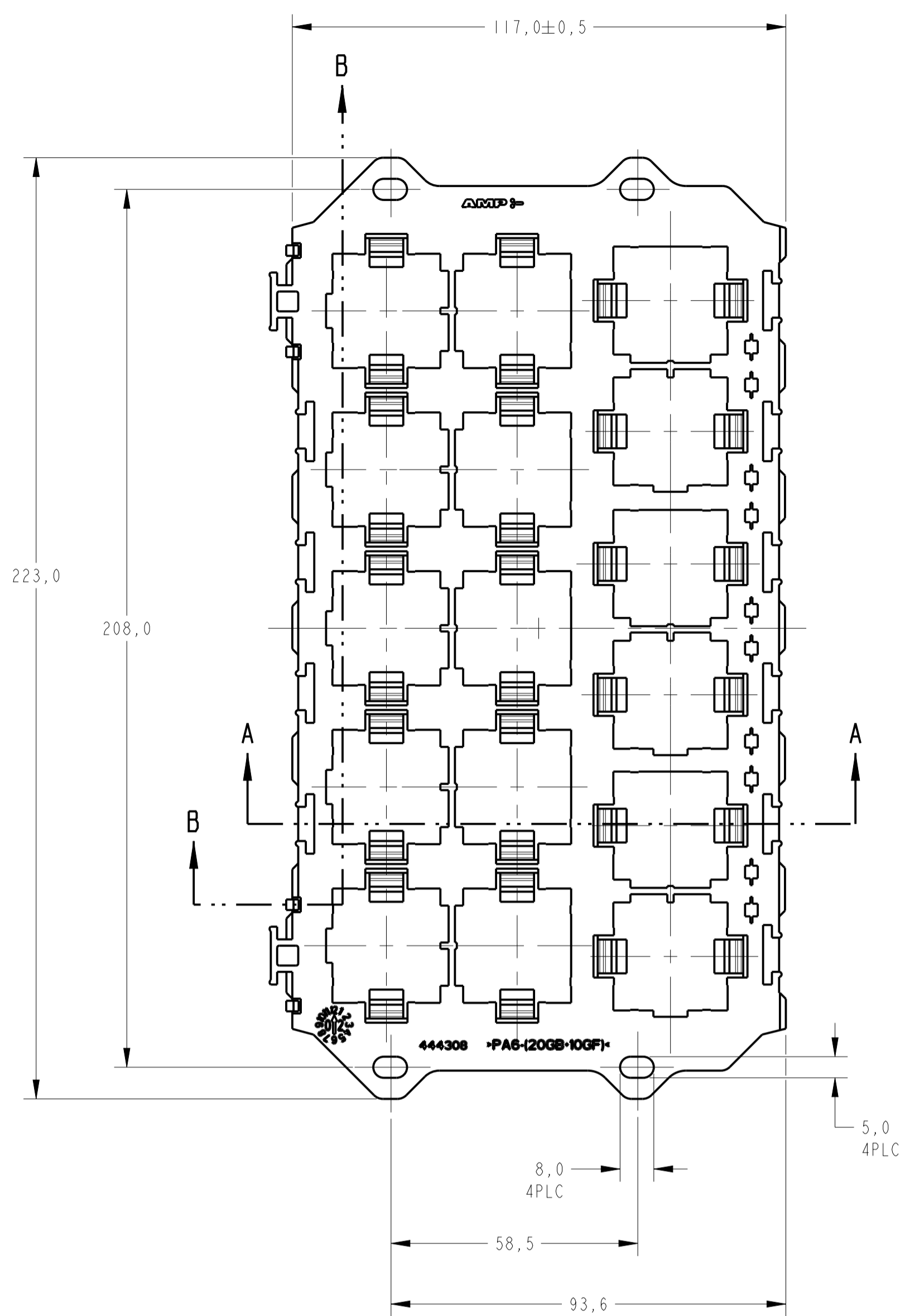


LOC	DIST	REV	DATE	BY	APPV
AP	-	C2	20NOV2014	NCL	GOJ

REVISIONS

DESCRIPTION	DATE	DWN	APPV
CHANGE STATUS ECO-14-017499	20NOV2014	NCL	GOJ

**creo**  
 Creo Parametric 2.0  
**DO NOT REVISE EXCEPT BY CAD**



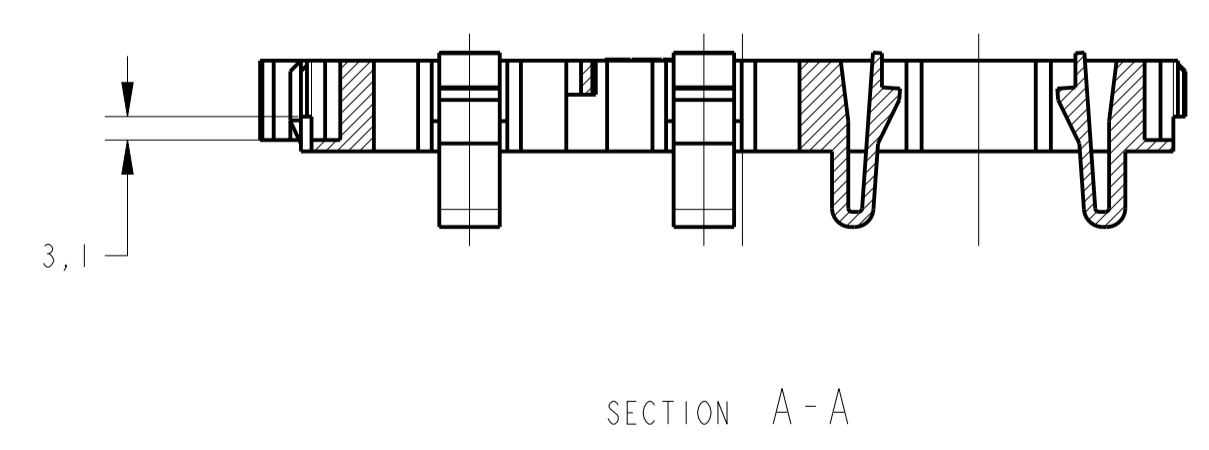
PERSPECTIVE VIEW  
 SCALE 1:2

GRAVAÇÃO
LOGOTIPO AMP
AMP LOGO
CODIGO PAIS PRODUTOR
MANUFACTURER COUNTRY CODE
NOMENCLATURA MATERIAL
MATERIAL NOMENCLATURE
NÚMERO COMPONENTE
COMPONENT NUMBER
DATADOR
DATE CODE

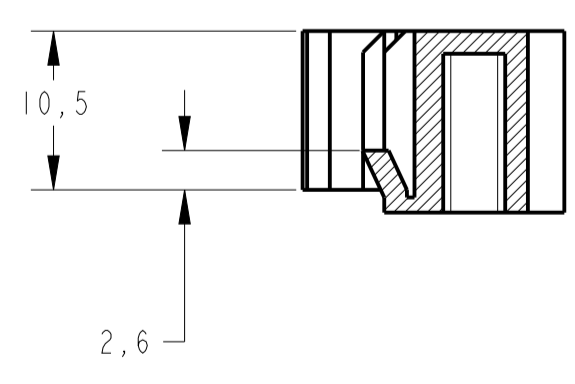
1 - DUAS OU MAIS PEÇAS 444308  
 PODEM SER MONTADAS ENTRE SI  
 ATRAVÉS DA JUNÇÃO J.

1 - TWO OR MORE PARTS 444308  
 CAN BE MATED THEMSELVES  
 THROUGH JOINT J.

△ - CONECTORES QUE PODEM SER USADOS:  
 △ - CONNECTORS THAT CAN BE USED:



SECTION A-A



SECTION B-B  
 SCALE 2:1

DESENHO Nº	DESCRIÇÃO	POSIÇÃO
444309	POWER GROUND ASSY	F
444311	HSG. FOR DIODES	G
444312	HSG. FOR FUSES	G
444313	RELAY SUPPORT	H
444314	RELAY SUPPORT	F / J

FINISH	MATERIAL	PART NUMBER
PRETO / BLACK	PA6-(20%GB+10%GF)	444308 -2
PRETO / BLACK	PA 6.6 + 33% FV/GF	444308 -1

THIS DRAWING IS A CONTROLLED DOCUMENT.

DIMENSIONS:	TOLERANCES UNLESS OTHERWISE SPECIFIED:	DWN: N.C. LAPRESA 02SEP99	CHK: P.L. FARIA 28JAN00	APV: L.G. DALTO 31JAN00
mm	0 PLC ±0.3 1 PLC ±0.3 2 PLC ±0.3 3 PLC ±0.3 4 PLC ±0.3 ANGLES ±1°	PRODUCT SPEC	APPLICATION SPEC	RESTRICTED TO
MATERIAL: SEE TABLE	FINISH: SEE TABLE	WEIGHT	SIZE: A1	CAGE CODE: 00779
		Customer Drawing	SCALE: 1:1	SHEET: 1 OF 1

**STE** TE Connectivity

NAME: FRAME, FUSE RELAY BOX

SIZE: 00779 C=444308

REV: C2